

SPYDER II

INSTRUCTION AND MAINTENANCE MANUAL



INDEX:

	Pag.
1. GENERAL INFORMATION	3
1.1.MANUFACTURER IDENTIFICATION	3
1.2.MARKING	3
1.3.SECURITY	3
1.3.1.DEFINITIONS	3
1.3.2.WARNINGS	3
1.3.3.PRECAUTIONS	4
1.3.4.DUTIES OF EMPLOYER	4
1.3.5.DUTIES OF THE OPERATORS ON THE MACHINE	4
2. GENERAL DESCRIPTION	5
3. MOUNTING / INSTALLATION	6
4. MEANING OF THE LED "CODE"	7
5. VERSIONS AND OPTIONS	8
6. ENVIRONMENTAL WORKING CONDITIONS.....	16
7. DISPOSAL	17


1 GENERAL INFORMATION

1.1 MANUFACTURER IDENTIFICATION



Via San Polo, 183
25124 Brescia - ITALY
phone.+39 030-2300492 fax.+39 030-2300833
e-mail: dinema@dinema.it

1.1. MARKING

 The device is made in accordance with the relevant EU directives, enforceable at the time of its release on the market.

1.2. SAFETY

1.3.1 WARNINGS



This manual is an essential part of the device itself and must be fully examined before taking any action.



This device is not intended for use in explosive environments.



It is absolutely forbidden any tampering and modification of the device.



Before performing any maintenance or cleaning, make sure the device is not plugged – in.



This device has been designed and realized in order to detect the YARN flow for textile machines. Please strictly refer to this Manual for the use of the device. The manufacturer is not responsible for any incorrect use and for any use not foreseen in this Manual.



The manufacturer is not responsible for any use of the device by unauthorized or not properly trained personnel and/ or unauthorized intervention and for serious lack in the scheduled maintenance and/ or for the use of not original spare parts or non-specific components for the model.



The device must be disposed in accordance with applicable laws in the countries where it is sold.



This manual should be retained for future reference.
In case of disposal of the equipment the user is encouraged to report to the manufacturer the address of the new owner to facilitate the transmission of any updating of the manual to the new user.



The manufacturer reserves the right to modify the product and / or this manual without prior notice.

1.2.3. PRECAUTIONS

Storage

The equipment must be stored in a room with a temperature between 0 °C and 50 °C non-condensing humidity.

Freight

The device contains sensitive parts therefore must be transported in a packaging that preserves its integrity.

1.2.4. DUTIES OF EMPLOYER

The employer is responsible for the disclosure of this document to all staff interacting with the device.

1.2.5. DUTIES OF THE MACHINE OPERATORS

In addition to the duty to follow the instructions given in this manual, operators have a duty to report to their managers any deficiency or potentially hazardous situation that may occur.

2 GENERAL DESCRIPTION

When working a textile garment, an incorrect scroll speed or, in the worst case, the yarn breakage, can seriously affect the quality of the final product.

Spyder is a sensor able to detect the sliding of the yarn in circular textile machines (large diameter, seamless and socks machines).

The measurement technology is based on the variation of the electric charge that is determined when the wire is moving respect than when it is stationary.

Such technology allows to obtain, compared to a traditional sensor, the following advantages:

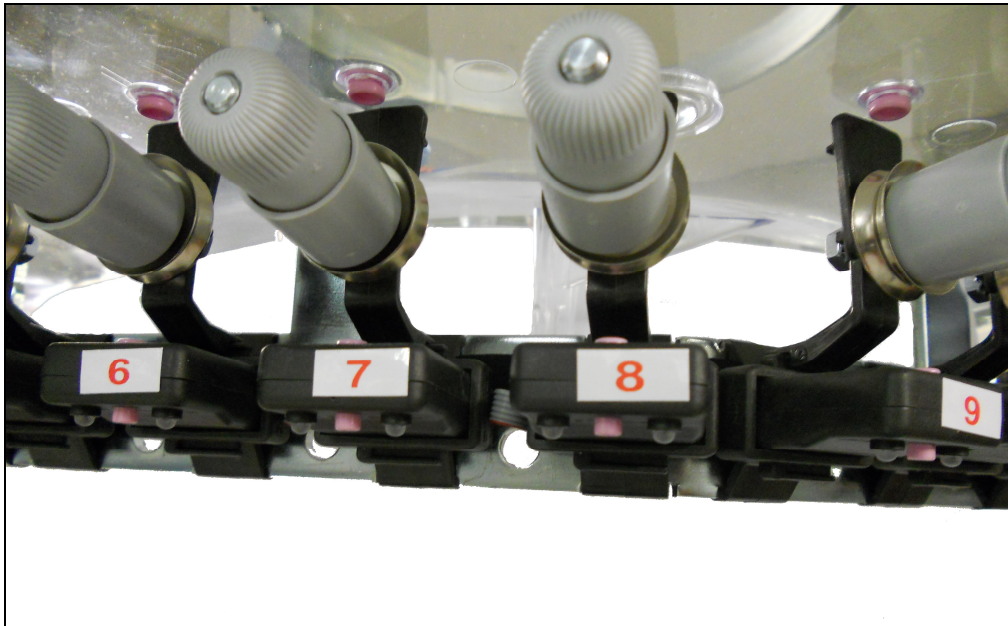
- resistance to dirt;
- resistance to external lighting conditions and direct light;
- Possibility to detect yarn of different colors and titles.

Spyder has been developed to be fully integrated with textile machinery, with graphics programming systems and systems of management and control helping the user to fully exploit all its potential.

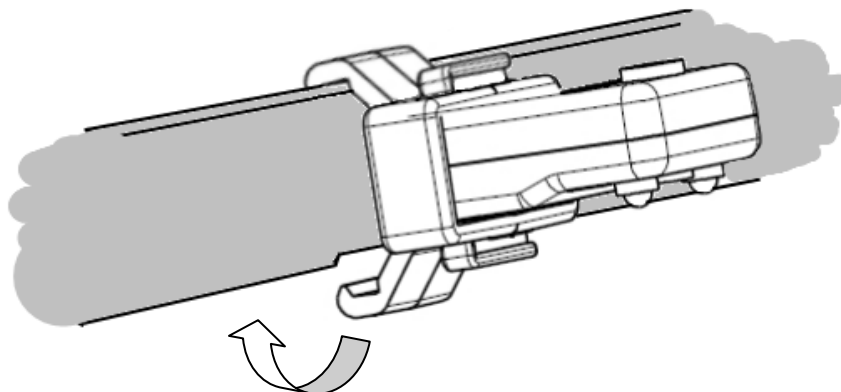
The programming of the device Spyder, easy and fast, is performed through the self-learning of a machining cycle.

This manual has the specific purpose of listing the various versions of Spyder and the related accessories that can be equipped to be able to operate on the most different machine conditions.

3 MOUNTING / INSTALLATION



Spyder installation is made on a dedicated "mounting ring", but requires no special tools as it is performed by some "clips" that are fitted and secured (see image below)



4.MEANING OF THE "CODE" LED

Spyder is equipped with two LEDs that indicate the status of the sensor, the meaning is explained here below:



GREEN ON - RED OFF

- Sensor is operating or learning and wire is sliding.



GREEN OFF – RED ON

- Sensor not operating;
- Yarn inserting not expected (in calibration).



GREEN ON – RED ON

- Sensor in “learning” and wire not running.



RED OFF – RED FLASHING

- Broken wire or wire not cut.



GREEN ON – RED FLASHING

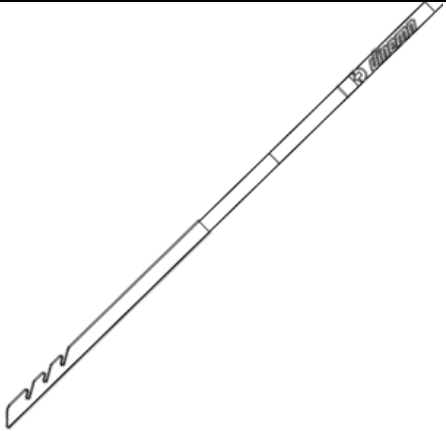
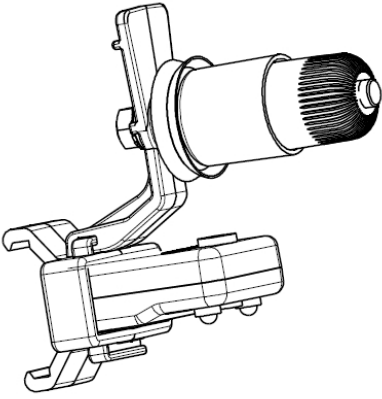
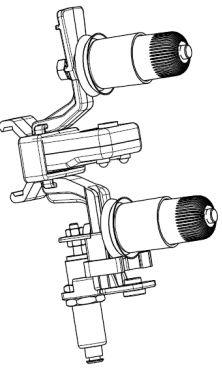
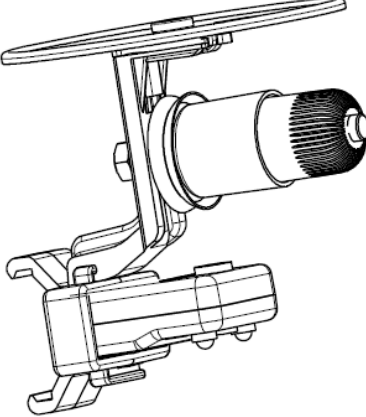
- Function SW update ON.

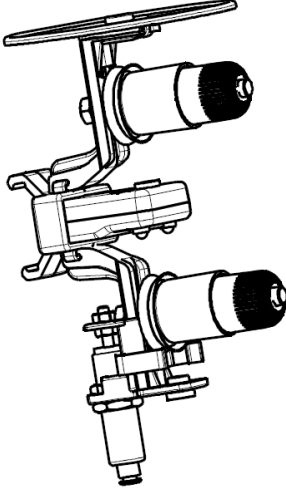
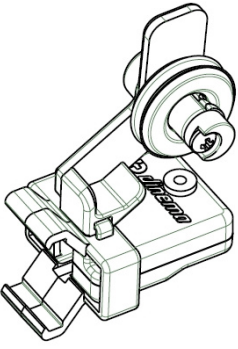
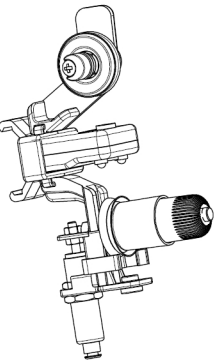
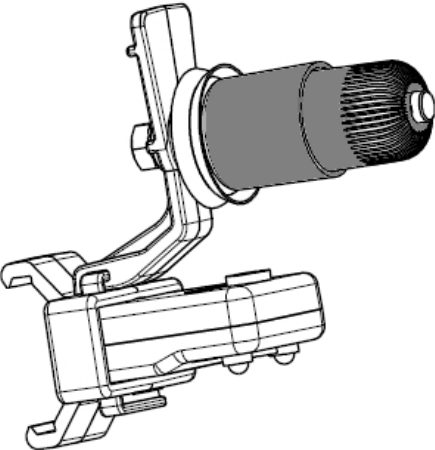


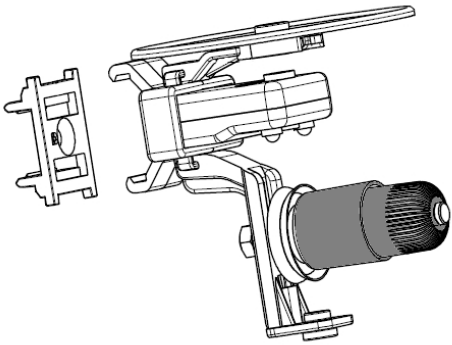
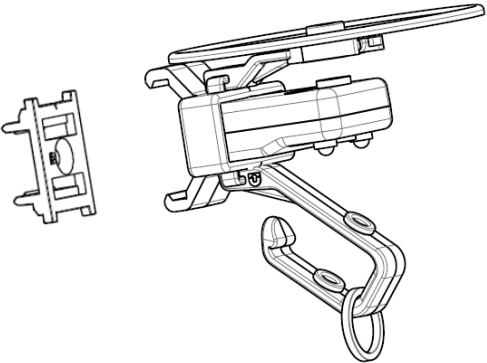
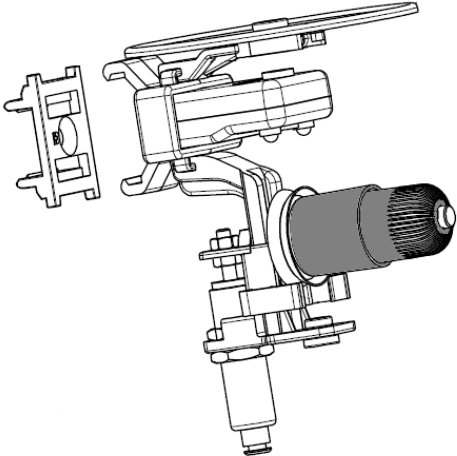

GREEN FLASHING - RED FLASHING


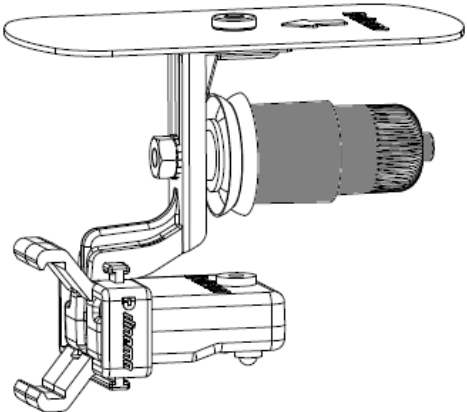
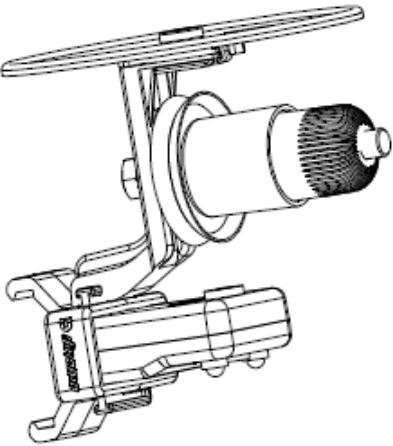
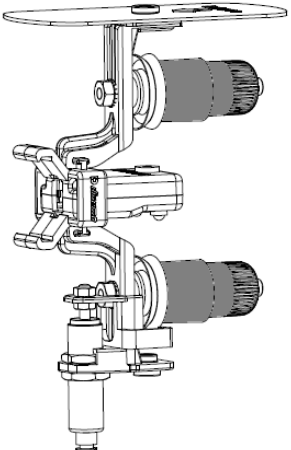
- Updating software (REMARKS: the green LED flashes with a higher frequency than the red one)

5. VERSIONS AND ACCESSORIES

	<p>255197</p> <p>SPYDER STICK</p>
	<p>453605</p> <p>SPYDER II GOAL+PM909+ STRONG YARN TENSION</p>
	<p>453606</p> <p>SPYDER II GOAL+ STRONG YARN TENSION AND STRONG UNLOCK-DISK</p>
	<p>453607</p> <p>SPYDER II GOAL+ STRONG YARN TENSION +ANTIBALLOON</p>

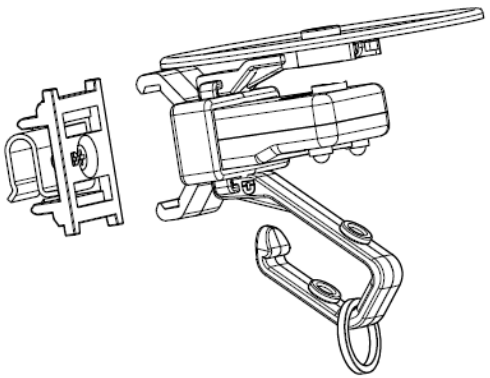
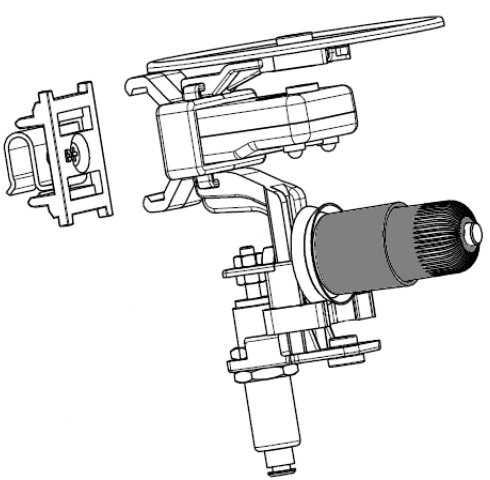
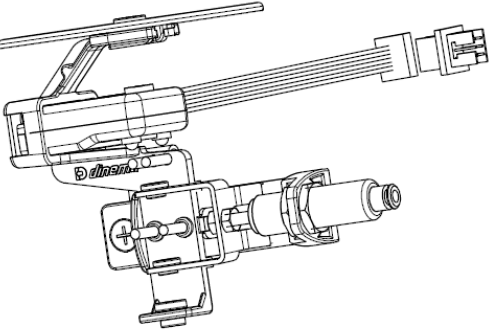
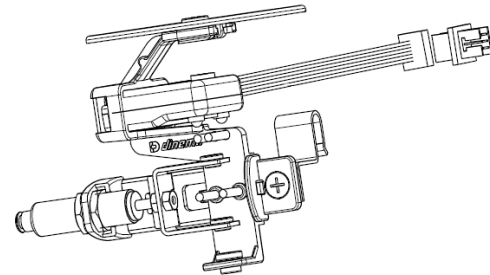
	<p>453608</p> <p>SPYDER II GOAL+ STRONG YARN TENSION +ANTIBALLOON+ STRONG UNLOCK-DISK</p>
	<p>453609</p> <p>SPYDER II GOAL+ BLACK – RED MAGNETIC TENSION (REDUCED TENSION)</p>
	<p>453610</p> <p>SPYDER II GOAL+ BLACK – RED MAGNETIC TENSION + STRONG UNLOCK-DISK (REDUCED TENSION)</p>
	<p>453611</p> <p>SPYDER II GOAL+PM909+ LIGHT YARN TENSION</p>

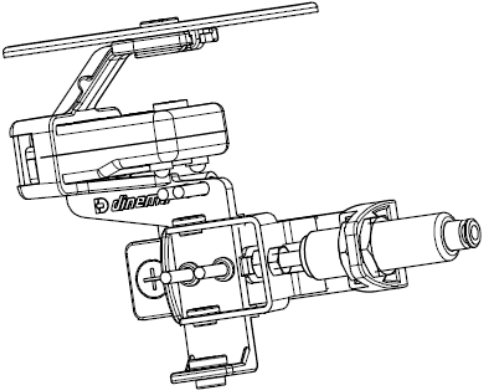
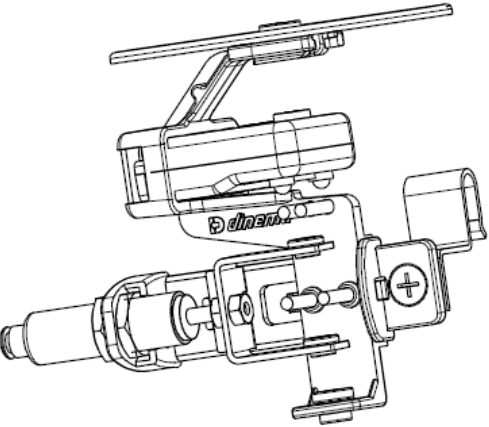
	<p>453612</p> <p>SPYDER II PANTYHOSE+ LIGHT YARN TENSION +ANTIBALLOON</p>
	<p>453613</p> <p>SPYDER II PANTYHOSE + RING YARN TENSION +ANTIBALLOON</p>
	<p>453614</p> <p>SPYDER II PANTYHOSE + LIGHT UNLOCK-DISK +ANTIBALLOON</p>
	<p>453615</p> <p>SPYDER II GOAL+ STRONG YARN-TENSION</p>

	<p>453616</p> <p>SPYDER II GOAL+ STRONG UNLOCK-DISK</p>
	<p>453617</p> <p>SPYDER II SANTONI+ LIGHT YARN TENSION +ANTIBALLOON</p>
	<p>453618</p> <p>SPYDER II U9+ STRONG YARN TENSION +ANTIBALLOON</p>
	<p>453619</p> <p>SPYDER II SANTONI+ LIGHT YARN TENSION AND UNLOCK-DISK+ ANTIBALLOON</p>

	<p>453620</p> <p>SPYDER II GOAL+LIGHT YARN TENSION</p>
	<p>453621</p> <p>SPYDER II GOAL+ STRONG YARN TENSION +ANTIBALLOON</p>
	<p>456622</p> <p>SPYDER II GOAL+ STRONG UNLOCK-DISK +ANTIBALLOON</p>
	<p>453702</p> <p>SPYDER II GOAL+BLACK – BLUE MAGNETIC TENSION (STANDARD TENSION)</p>



	<p>453703</p> <p>SPYDER II GOAL+ BLACK – YELLOW MAGNETIC TENSION (INCREASED TENSION)</p>
	<p>453704</p> <p>SPYDER II GOAL+ BLACK – BLUE MAGNETIC TENSION + STRONG UNLOCK-DISK (STANDARD TENSION)</p>
	<p>453705</p> <p>SPYDER II GOAL+ BLACK – YELLOW MAGNETIC TENSION + STRONG UNLOCK-DISK (INCREASED TENSION)</p>
	<p>453768</p> <p>SPYDER II PANTYHOSE +LIGHT YARN TENSION +ANTIBALLOON NOT LONATI STRUCTURE</p>



	<p>453769</p> <p>SPYDER II PANTYHOSE + RING YARN TENSION +ANTIBALLOON NOT LONATI STRUCTURE</p>
	<p>453770</p> <p>SPYDER II PANTYHOSE +LIGHT UNLOCK-DISK +ANTIBALLOON NOT LONATI STRUCTURE</p>
	<p>453624</p> <p>SPYDER II PANTYHOSE CLEARER RIGHT SIDE MOUNTING +FLAT CABLE+DERIVATION BOARD</p>
	<p>453625</p> <p>SPYDER II PANTYHOSE CLEARER LEFT SIDE MOUNTING +FLAT CABLE+ DERIVATION BOARD</p>


	<p>453627</p> <p>SPYDER II PANTYHOSE CLEARER RIGHT SIDE (REMARKS: WITHOUT FLAT CABLE AND BOARD)</p>
	<p>453628</p> <p>SPYDER II PANTYHOSE CLEARER LEFT SIDE (REMARKS: WITHOUT FLAT CABLE AND BOARD)</p>

6. ENVIRONMENTAL WORKING CONDITIONS

This chapter describes the technical feature of the device-specific Spyder.

TEMPERATURE RANGE
 working: 0 ÷ 35 °C @ 70% of non-condensing humidity
 storage: -20 ÷ 50 °C @ 90% of non-condensing humidity

POWER SUPPLY
 Operating power supply 24 VDC
 Maximum power supply: max 55 mA (worst cases)

ALTITUDE
 0 - 2000 m

7. DISPOSAL



WARNING: In order to avoid possible negative effects on the environment and health and in order to promote recycling of the materials, this equipment must be disposed in accordance with enforceable laws in the countries where it is sold.

